

## AV-D25 (T Series) Dynamic Mount

Tilt

### Features

- Intuitive grab and move operation enhances the user experience
- No knobs or tools required to reposition the display
- Robust positioning in compact package
- Holds securely, even in applications with dynamic loading
- Consistent repeatable operation
- Fully enclosed for optimum cleanability
- VESA MIS-D, 100, C compliant
- Available in black or white

### Material

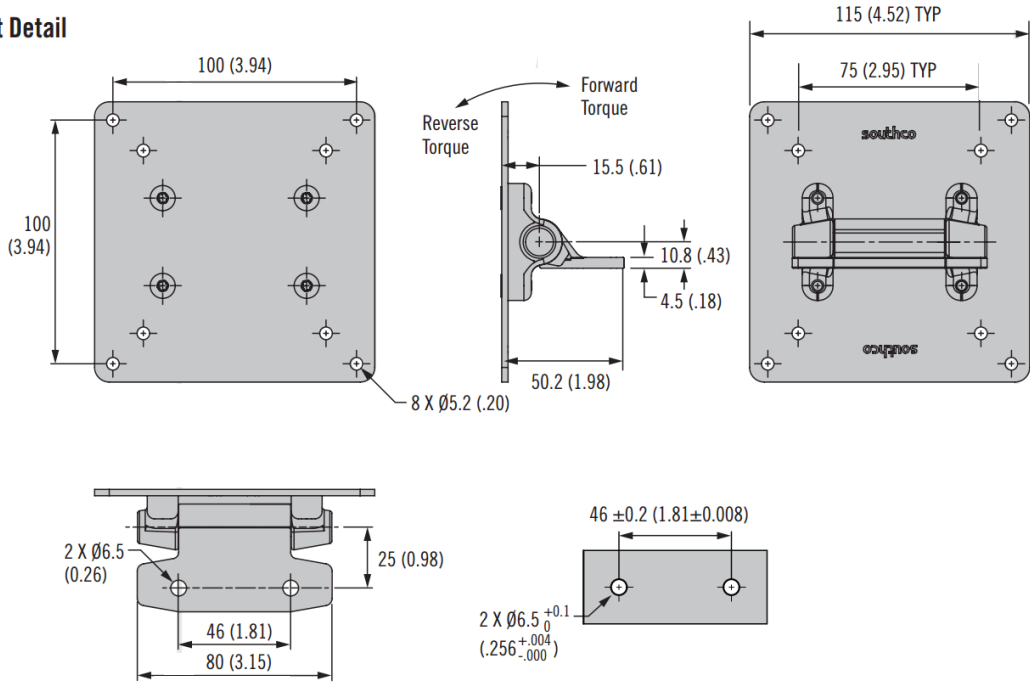
- Steel, aluminum alloy, powder coated

### Product Performance

- Cycle performance: 20,000 cycles within  $\pm 20\%$  of static torque specification
- Max. dynamic working load: 100 N
- Average ultimate load: 1,065 N



### Product Detail

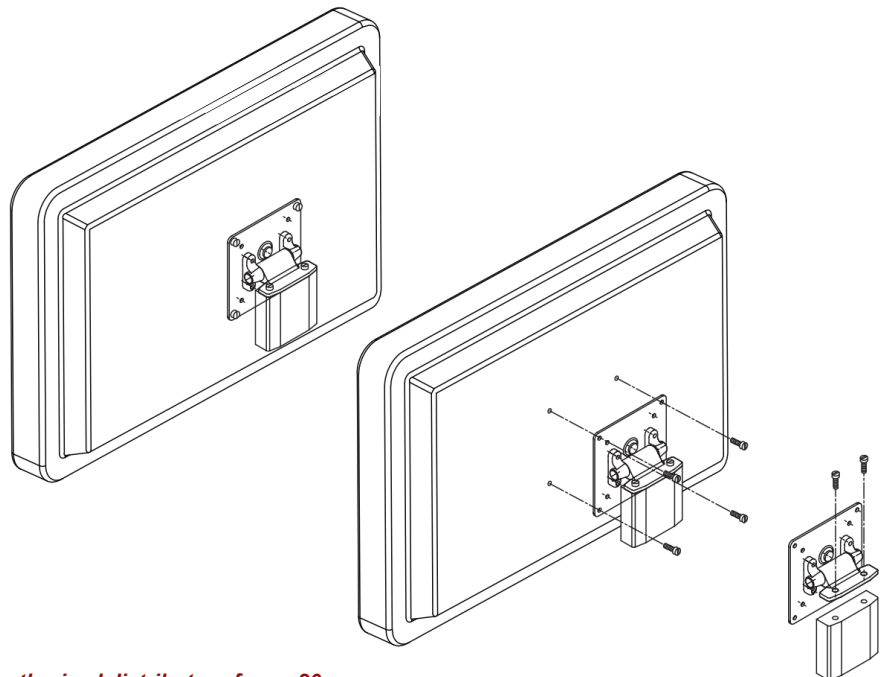


### Installation

1. Determine desired mounting location
2. Attach using M6 screws as shown

*Caution: Because of the wide variety of available materials, it is the installer's responsibility to ensure that the materials, and structure to which the tilt mount is fastened will provide adequate support.*

3. Attach display using manufacturer's recommended hardware



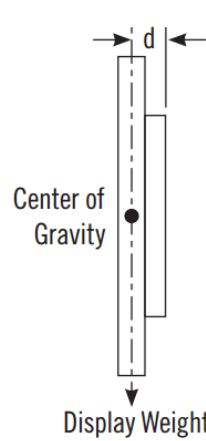
## Specification and Selection

### Step 1

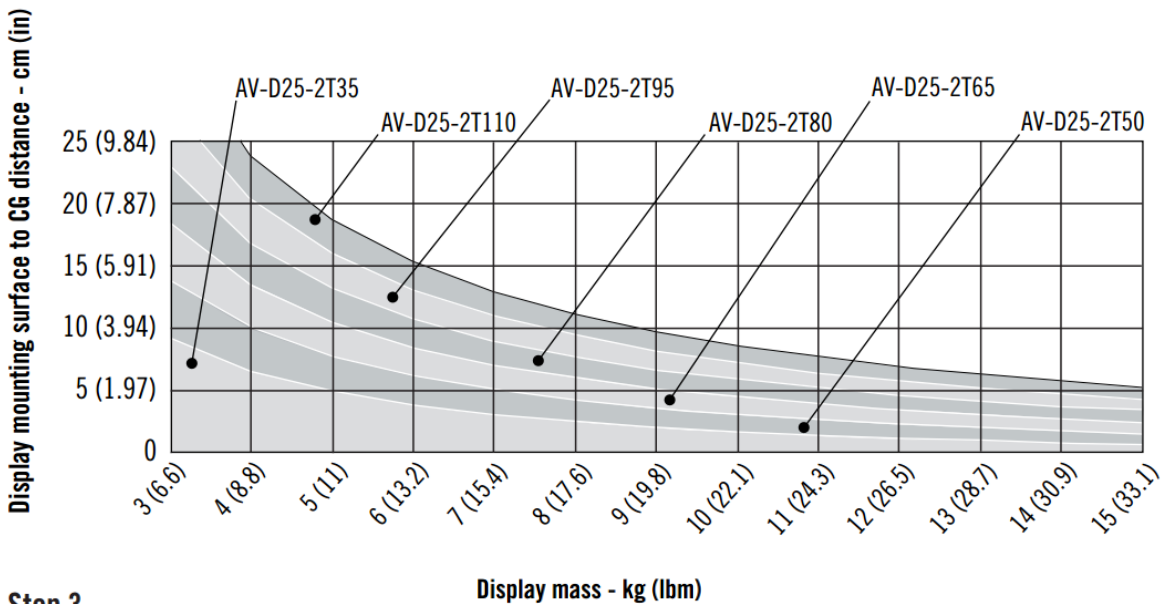
Determine display weight and distance (d) from mounting surface to center of gravity.

### Step 2

Use chart below to select part number.



### AV-D25 T-Series Model Selection Guide



### Step 3

Complete part number by selecting color options below.



Part Numbers		FORWARD TORQUE N-m (in-lb)	REVERSE TORQUE N-m (in-lb)
BLACK	WHITE		
AV-D25-2T35F-50	AV-D25-2T35F-76	3.9 (35.0)	3.0 (26.7)
AV-D25-2T50F-50	AV-D25-2T50F-76	5.7 (50.0)	4.0 (35.7)
AV-D25-2T65F-50	AV-D25-2T65F-76	7.3 (65.0)	5.4 (47.5)
AV-D25-2T80F-50	AV-D25-2T80F-76	9.0 (80.0)	6.7 (59.4)
AV-D25-2T95F-50	AV-D25-2T95F-76	10.7 (95.0)	7.8 (68.9)
AV-D25-2T110F-50	AV-D25-2T110F-76	12.4 (110.0)	9.0 (79.8)
AV-D25-2T35R-50	AV-D25-2T35R-76	3.0 (26.7)	3.9 (35.0)
AV-D25-2T50R-50	AV-D25-2T50R-76	4.0 (35.7)	5.7 (50.0)
AV-D25-2T65R-50	AV-D25-2T65R-76	5.4 (47.5)	7.3 (65.0)
AV-D25-2T80R-50	AV-D25-2T80R-76	6.7 (59.4)	9.0 (80.0)
AV-D25-2T95R-50	AV-D25-2T95R-76	7.8 (68.9)	10.7 (95.0)
AV-D25-2T110R-50	AV-D25-2T110R-76	9.0 (79.8)	12.4 (110.0)